

PRODUCT INFORMATION PACKET

Model No: 5K42HN4089X

Catalog No: K1408

1/2 HP Fan and Blower HVAC/R Motor, 3 phase, 1800 RPM, 208-230/460 V, 56 Frame, ODP
Self Cooled Motors



Nameplate Specifications

Output HP	0.50 Hp	Output KW	0.37 kW
Frequency	60 Hz	Voltage	208-230/460 V
Current	2.3-2.2,1.1 A	Speed	1725 rpm
Service Factor	1.25	Phase	3
Efficiency	75.6 %	Power Factor	0
Duty	Continuous	Insulation Class	B
Design Code	B	KVA Code	K
Frame	56	Enclosure	Drip Proof
Thermal Protection	AUTO	Ambient Temperature	40 °C
Drive End Bearing Size	6203	Opp Drive End Bearing Size	6203
UL	Recognized	CSA	Yes
CE	N		

Technical Specifications

Electrical Type	Three Phase	Starting Method	N/R
Poles	4	Rotation	Counterclockwise/Clockwise
Mounting	Resilient Base	Motor Orientation	ANY
Drive End Bearing	BALL	Opp Drive End Bearing	Ball
Frame Material	Rolled Steel	Overall Length	10.05 in
Frame Length	5.72 in	Shaft Diameter	0.630 in
Shaft Extension	1.88 in	Thru-bolts Extension	0 in
Connection Drawing	113A423	Outline Drawing	52A109606P1

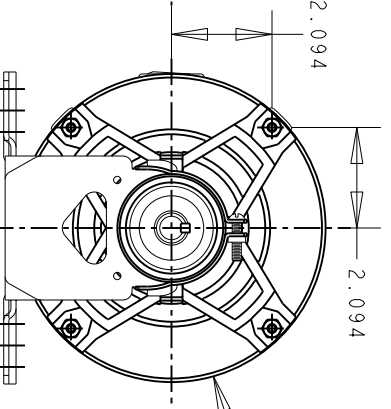
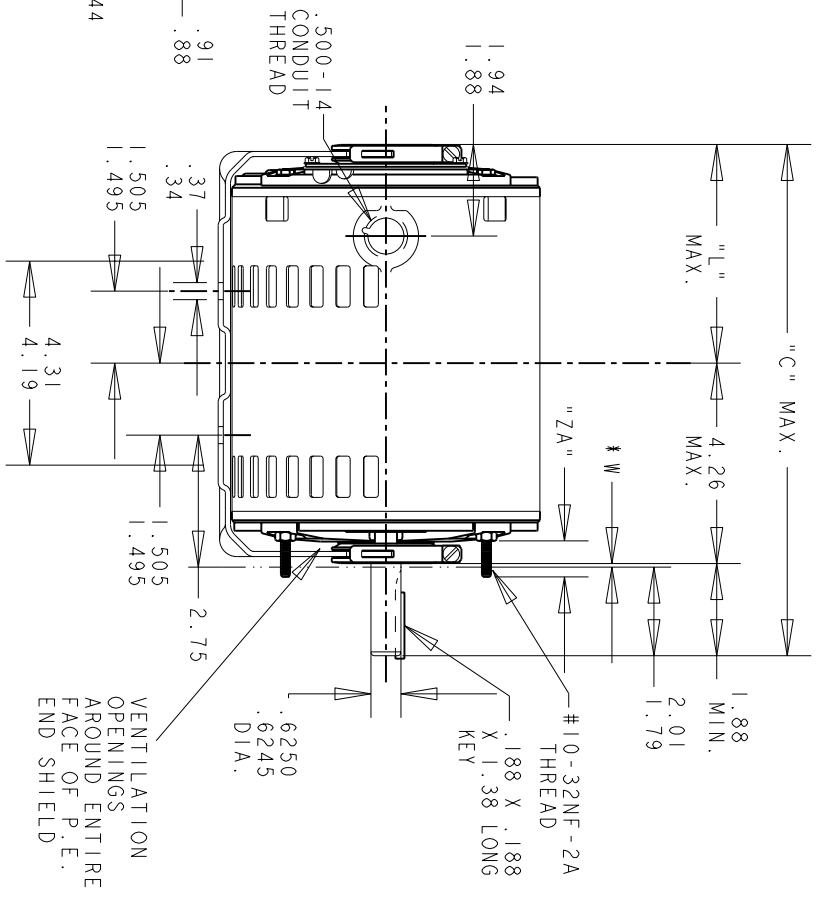
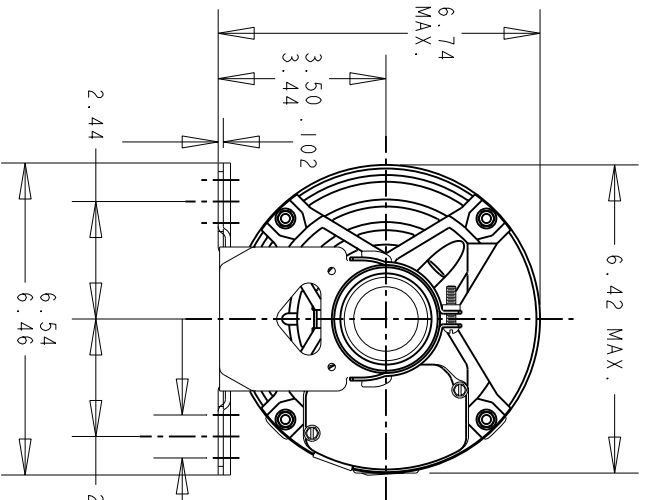
This is an uncontrolled document once printed or downloaded and is subject to change without notice. Date Created:03/11/2020

THIRD ANGLE PROJECTION



REVISIONS

REV.	DESCRIPTION	DATE	APPROVED
3	CHANGED GE SIZE FOR P3	05/07/04	ARUNK
4	CHG TO RBC FORMAT PER IS05-11777	03/21/06	SUDHA



VIEW OF P.E. END SHIELD

* W IS A VARIABLE CLEARANCE DUE TO VARIATIONS IN PARTS AND ASSEMBLY

3	2	1	P
K	K	K	TYPE
46	49	42	GE SIZE
56	56	56	NEMA FR.
10.88	10.48	10.05	"C"
4.62	4.22	3.79	"L"
.62	.62	.62	"ZA"
MIN. SHELL	6.15	5.72	MIN. SHELL

ALL DIMENSIONS ARE IN INCHES



REGAL-BELOTT CORPORATION

TITLE OUTLINE

GENERAL PURPOSE MOTOR - DRIP PROOF - BALL BEARING - RESILIENT BASE EXTENDED CLAMP SCREWS FWF - 40 FRAME REDESIGN

FOR ADDITIONAL INFO REFER TO:	MODEL	M.D.PAPE	DATE
APPLIED PRACTICES	CHECKED		
DIMENSIONS ARE IN INCHES	ENGNG		
	MFG		
	QUALITY		
	ISSUED	M.D.PAPE	03/31/94
	SOLID MODEL:	52A109606	

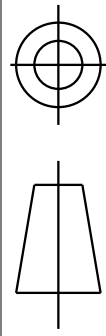
SIZE	A	SCALE	0.250	REF. No.	
REV	4	SHEET	1 of 1		

REVISIONS

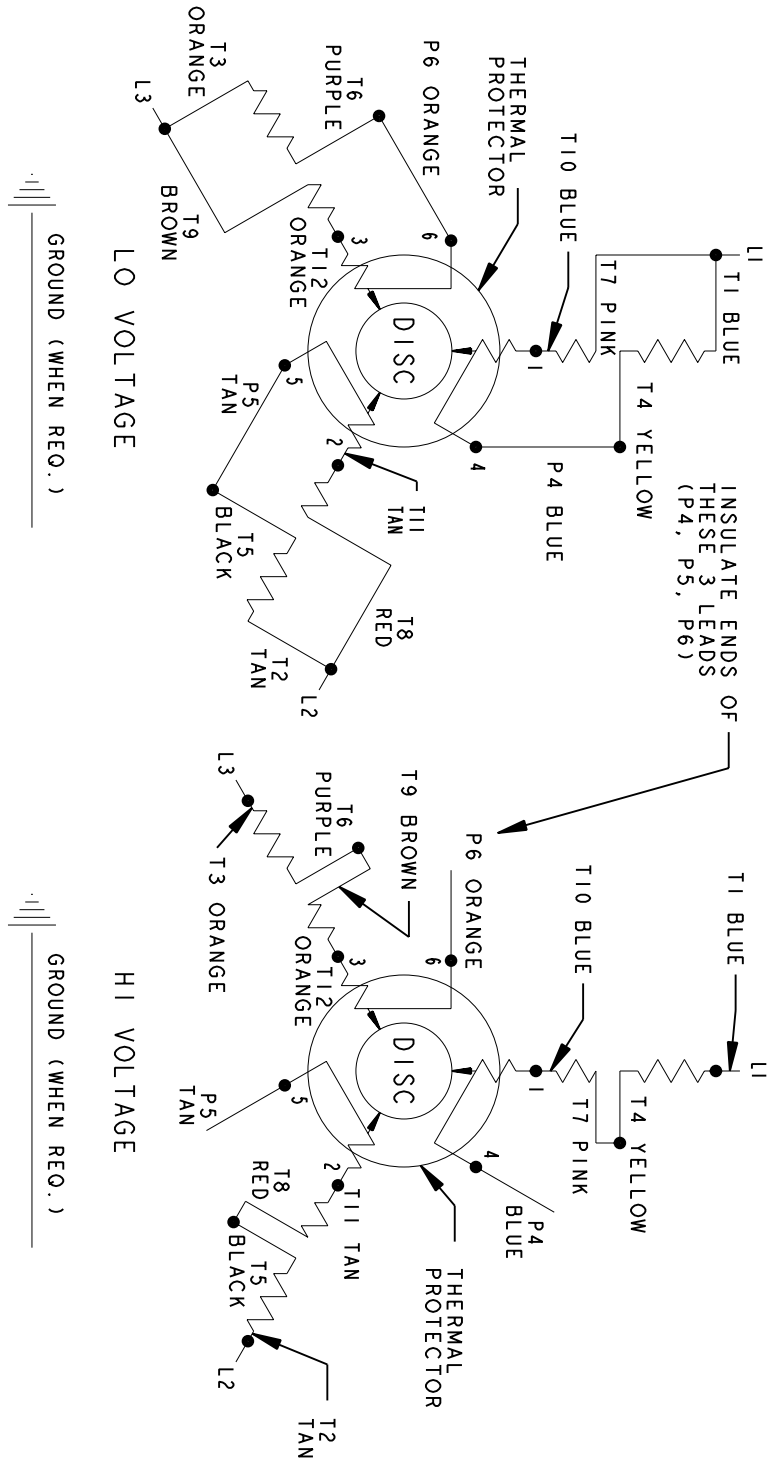
REV.	DESCRIPTION	DATE	APPROVED
7	LO VOLTAGE: "T8 RED" WAS "T3 RED"	09/25/92	BLJ
8	LABEL WAS 185178	04/04/95	M.A.M.
9	CHG TO RBC FORMAT PER IS05-1777	06/13/06	SUDHA

This document is the property of REGAL-BELOIT CORPORATION ("RBC") including its subsidiaries and divisions and contains proprietary information of RBC. This document is loaned on the express condition that neither the recipient nor any other person shall be permitted to disclose or disseminate the information contained herein without the express written consent of RBC. This document shall be returned to RBC upon its request. This document may be subject to certain restrictions under U.S. export control laws and regulations.

THIRD ANGLE PROJECTION



TYPE K - DUAL VOLTAGE - THREE PHASE -
 I2 LEAD WDG. - I2 LEADS OUT - THERMAL PROTECTION



NOTE #1 - TO REVERSE ROTATION, INTERCHANGE THE EXTERNAL CONNECTIONS TO ANY TWO LINE LEADS.

LABEL - NP185178AA

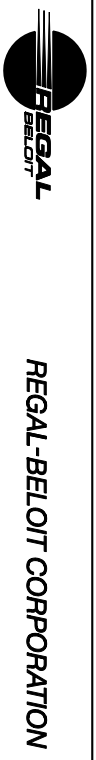


DIAGRAM - CONNECTION
 TYPE K MOTORS

FOR ADDITIONAL INFO REFER TO:	SIGNATURES	DATE
APPLIED PRACTICES	MODEL G.A.HILLSMIER	01/05/56
DIMENSIONS ARE IN INCHES	DETAIL	
TOLERANCE ON: 1 PL DECIMALS ± 0.1 2 PL DECIMALS ± 0.02 3 PL DECIMALS ± 0.005	CHECKED	
ANGLES ± 1.0	ENGRG	
FRACTIONS ±	MFG	
FINISH	QUALITY	
ISSUED	B.L.J.	05/12/92
MATERIAL	SOLID MODEL: 113A423	

SIZE DRAWING	A	SCALE: 1.000	REF. No.:		SHEET 1 of 1
REV	9	113A423			